



**CUBEx**  
**Intrinsically Safe Lights**

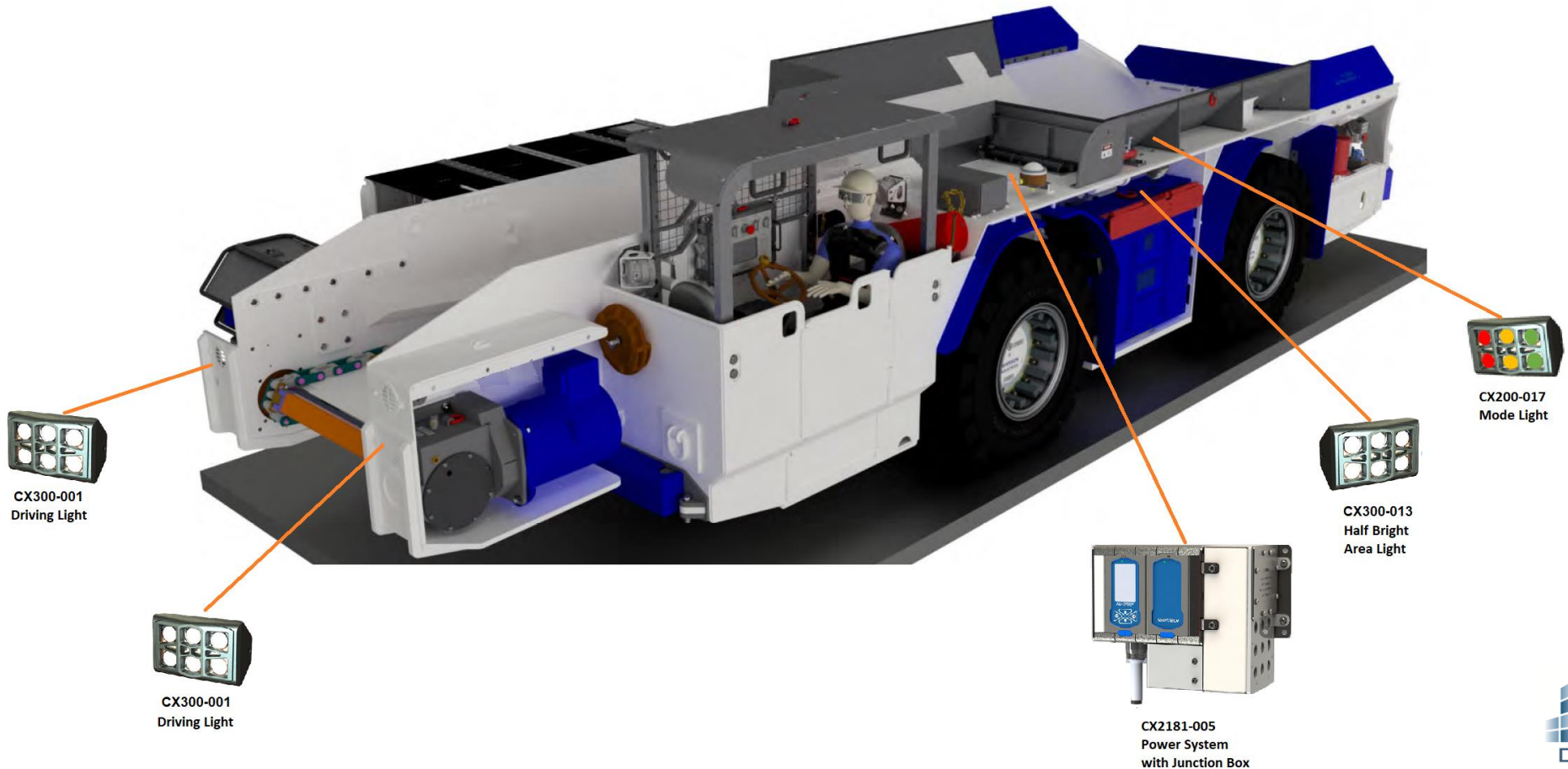


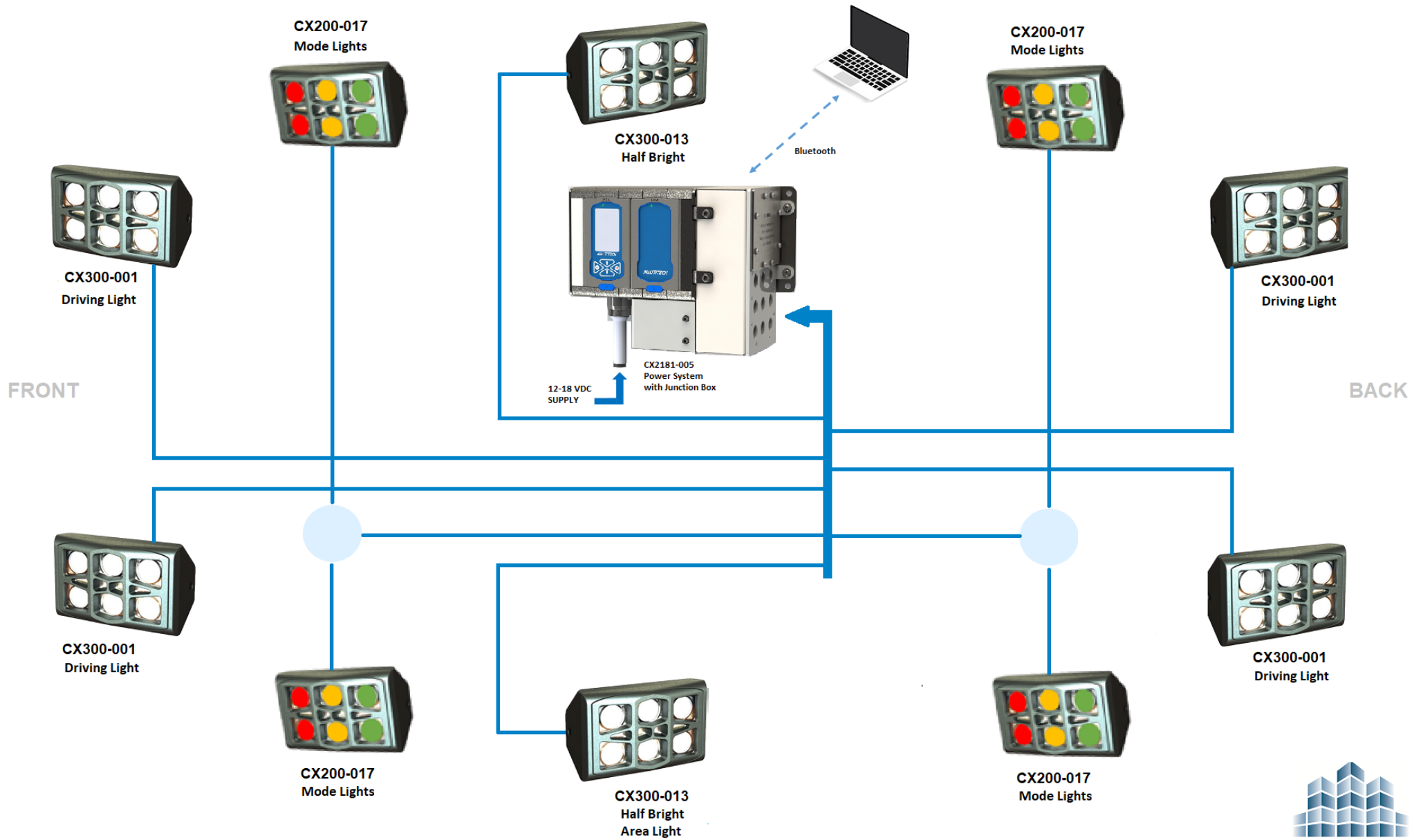
### The CUBEX IS Lighting System

- ✓ Fully IS – no FLP enclosure required
- ✓ First controllable IS lights on the Australian market
- ✓ Various options available for beam angle, intensity and colours
- ✓ 3 X independent lighting circuits – strobing/flashing programmable via Bluetooth
- ✓ High level of area lighting
- ✓ Visual warning of operational changes affecting mine workers in the vicinity
- ✓ Rated from 10.5-20V DC - suitable for 12V applications
- ✓ Operating conditions -20°C to +60°C
- ✓ Significant cost savings over time due to a reduction in inspections, maintenance, and machinery down time



Item	Component	Part #
1	CUBEx Lighting Power System with Junction Box	CX2181-005
2	IS Light, Ambient, 6xWhite, 6x60 Degree X 4	CX300-001
3	IS Light, Ambient, 6xWhite, 6x60 Deg, 1/2 Brightness X 2	CX300-013
4	IS Light, Mode lights, 2xRed, 2xYellow, 2xGreen, 6x60 Deg X 4	CX200-017
5	IS Light, Mounting Bracket X 10	CX209-001
6	Cables, hoses, glands, plugs, other components	Contact Nautitech®





This table illustrates the recorded illumination results at 1.5x stopping distance for a shuttle car traveling at 10 km/hr.



	STOPPING DISTANCE (m)	1.5X STOPPING DISTANCE (m)	MEASURED LUX INBYE @ 2.1m	MEASURED LUX OUTBYE @ 2.1m
<b>CUBEx IS LED (CX200)</b>	1.4	2.1	<b>64</b>	<b>87</b>
Other FLP Light	1.4	2.1	12	20

Graphical illustration below of comparison between Illumination (Shuttle Car with CUBEx IS Lights) – Illumination (Shuttle Car with FLP Lights)

	1	2	3	4	5	6	7	8	9	10	11	12	13	14	15	16	17	18	19	20	21	22	23	24	25	26	27	28	29	30	
<b>A</b>	3.8	4.25	4.14	5.15	5.94	5.14	3.81	2.18	0.85	1.84	4.57	1.47	-0.06	4.17	49.7	137.1	17.56	2.33	6.12	3.64	0.63	5.28	4.22	5.9	6	5.27	4.72	3.58	2.54	2	
<b>B</b>	2.79	4.74	6.39	6.75	7.3	7.45	12	11.7	5	1.74	14.52	0.85	-0.83	-4.01	-1.05	833.6	5.84	0.03	23.47	0.84	21.1	27.29	23.18	13.2	7.36	6.58	4.57	2.57	0.97	1.15	
<b>C</b>	3.93	1.45	7.18	7.52	11.57	14.55	10.85	19.3	20.5	214.1											171.3	55.75	29.02	18.85	8.36	4.63	2.72	1.57	1.16	1.03	
<b>D</b>	4.5	5.35	6.17	7.29	10.65	11.87	19.07	35.8	70.9	126.4											16	55.94	19.22	8.05	3.41	2.72	1.99	1.71	1.88	1.32	
<b>E</b>	4.84	5.7	7.64	10.02	15.37	20.32	26.42	49.1	81.6	343.6			<b>DRIVERS CAB</b>									258.9	54	9.42	7.12	6.55	6	7.5	3.76	2.84	2.27
<b>F</b>	4.3	5	6.42	6.82	8.99	14.16	24.67	34.02	34.4	16.2	-0.6	0.48	4.8	-1.7	-15.5	943.8	13.96	0.2	46.67	-0.2	5.87	8.2	12.18	3.59	1.3	1.29	2.3	2.96	3.65	2.34	
<b>G</b>	4.49	5.25	7.9	9.12	12.83	11.82	10.44	7.65	3.2	2.3	4.06	7.45	2.35	1.4	19.32	89.1	31.9	4.78	8.03	3.44	1.2	1.25	2.32	2.69	3.61	1.61	1.31	0.68	1.22	1.4	

